





# BOMAG BW100 ADM-5

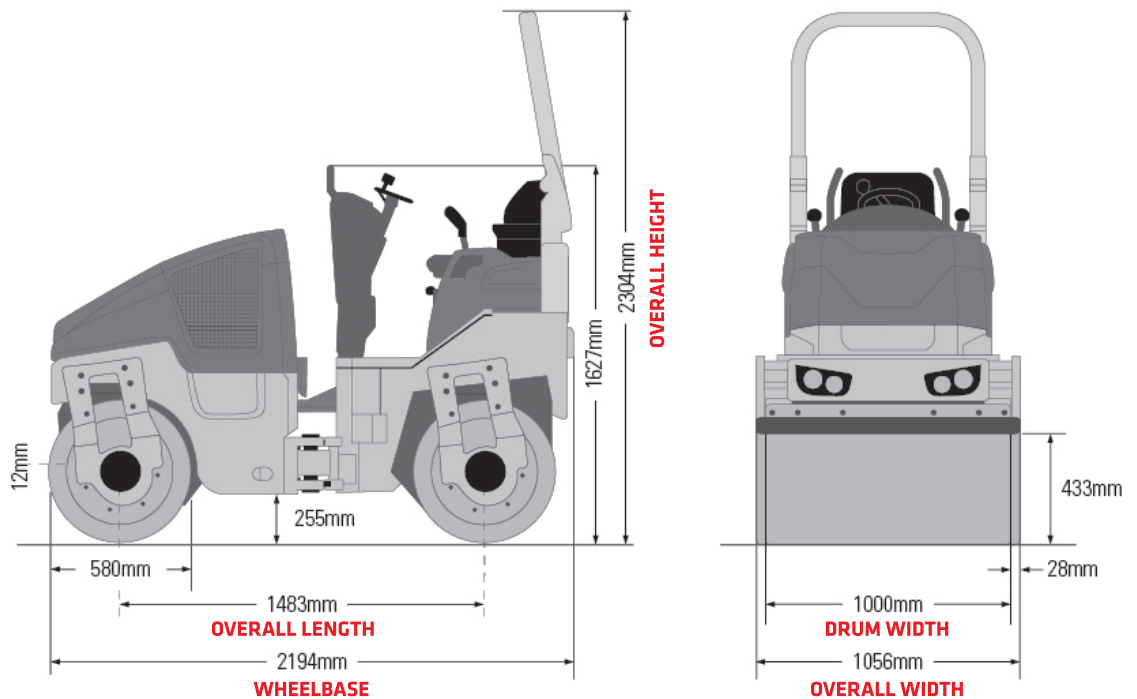
The Bomag 1.5 tonne vibrating drum roller is versatile for those jobs that require small and compact access.

## KEY FEATURES

- Front and rear vibrating drum
- 205 litre water tank
- Foldable ROPS
- Rotating beacon
- Lockable engine hood
- Multi-function display including operating hour meter and fuel gauge





x - Approximate fuel consumption